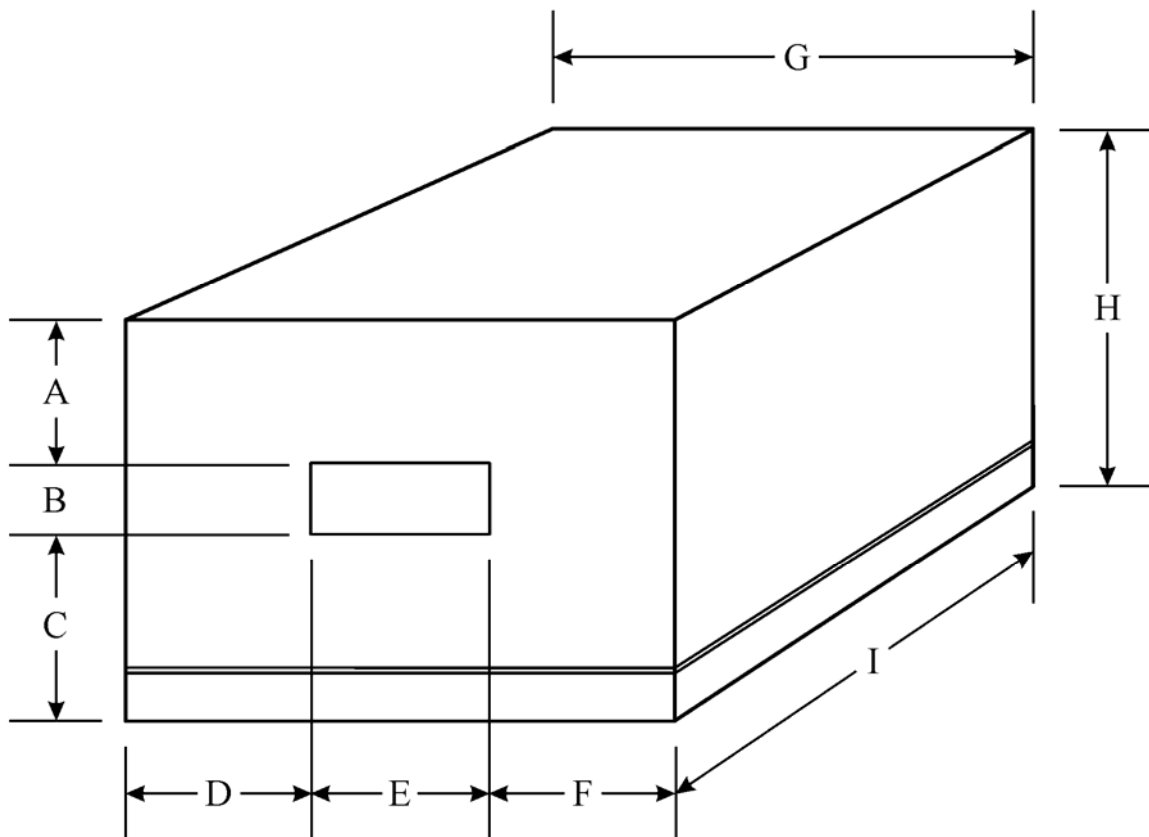




www.equitex.com

CUSTOM TRUNK COVER ORDER

Dear Client, for a proper fit, will you please provide us with the measurements below. Thank you.



A _____ D _____ G _____
B _____ E _____ H _____
C _____ F _____ I _____

PLEASE NOTE: A+B+C MUST EQUAL "H", AND D+E+F MUST EQUAL "G"

EQUITEX

2200 Pine View Way, Suite A • Petaluma, CA 94954
Phone 707.778.3103 • Toll Free 888.Equitex • Fax 707.778.3101

TRUNK COVER ORDER FORM

Barn _____ New Order _____ Reorder _____

Trunk Manufacturer _____

FABRIC CHOICES:	SUNBRELLA®			CORDURA®		NYLON	
(CHOOSE ONE PER ORDER SHEET)	Base:			Base:		Base:	
	Trim:			Trim:		Trim:	
	Piping:			Piping:		Piping:	
TRUNK SIZE	QUANTITY	ZIPPER Y / N	MOISTURE BARRIER Y / N	EMBROIDERY COLOR	EMBROIDERY FRONT	EMBROIDERY HANDLES	
LARGE							
MEDIUM							
SMALL							
VALET							
UPRIGHT							
SLANT							
BIT							
NOTES							